

Descriptions

▲ 7 Flash Patterns



W16M
(magnetic base)



W16S
(screw mount)



Z-W16P
(Pipe mount)



W16B
(rechargeable battery
powered)

instructions

W16M
(magnetic)

cigar
lighter



on/off switch

MODE change

Z-W16S
(srew mount)

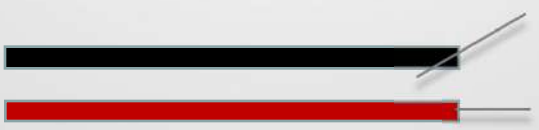


Black - nagative

Red - positive

MODE change

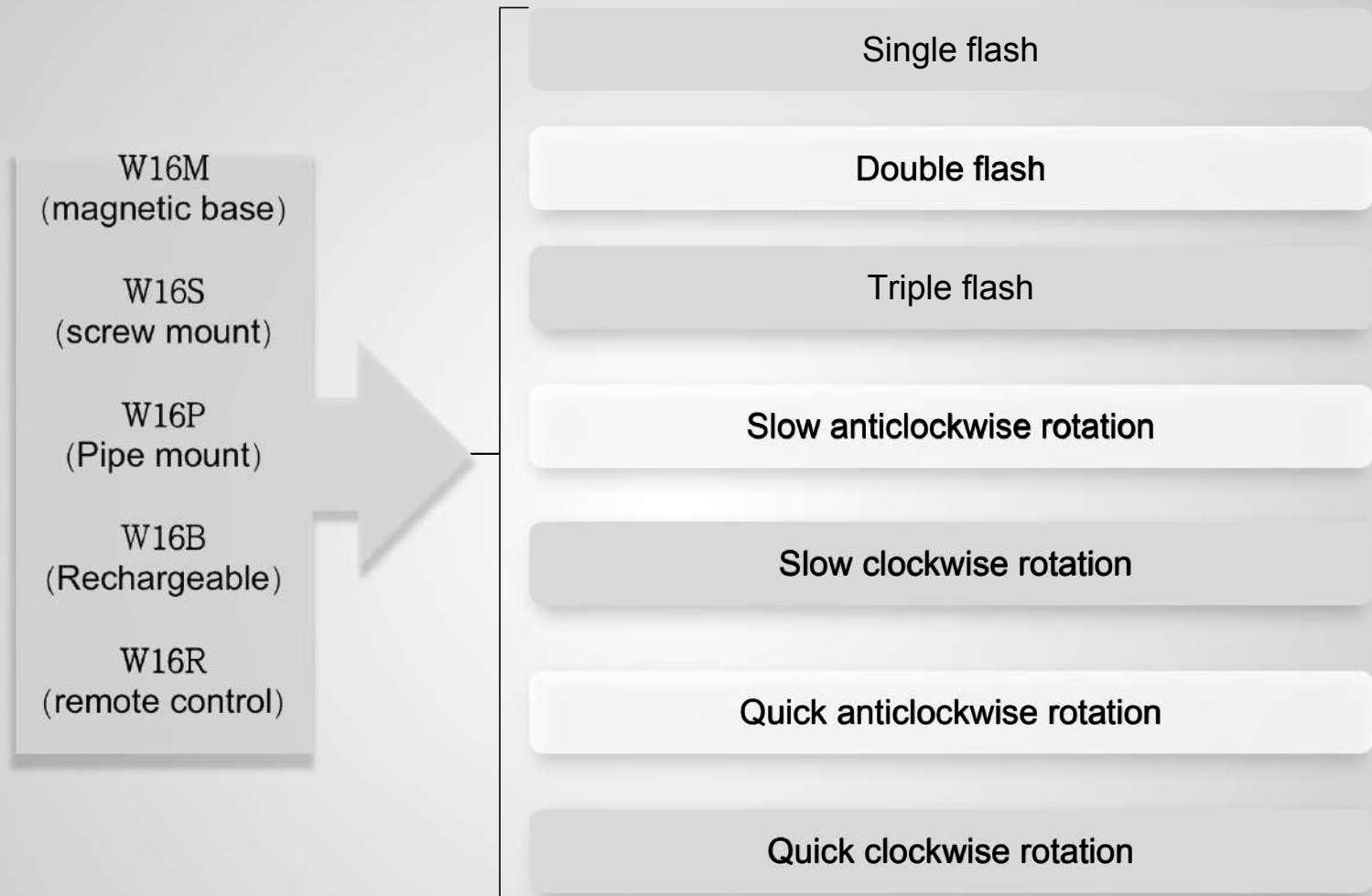
Z-W16P
(Pipe mount)



Black - nagative

Red - positive

Functions



Description of Charger

W16B
(Rechargeabl)



Cigar lighter

Indicator



Function:
1.Long press 3S to turn off
2.Short press to change mode

DCIN 12V/24V



Indicator



Red: 0-30%	Yellow: 30-99%	Green: 100%	Red: 10-30%	Yellow: 30-70%
Charging			Red flash: under 10%	Green: 70-100%
			Working	

Here is a video to check
https://youtu.be/KjFQdUV_Xdw

Specification

Part # Item	W16M	W16S	W16P	W16B
Input voltage	DC 12V/24V			
Power	19W	19W	19W	15W
LED	3030	3030	3030	3030
Qty for LED	30	30	30	30
Wave length	590nm ~ 595nm			
ECE	R65 TA1	R65 TA1	R65 TA1	/
EMC	R10			
Waterproof	IP67			
Operating temperature	-40°C ~ 65°C			
Net Weight	420g	282g	330g	548g

Specification

W16B (rechargeable battery powered)

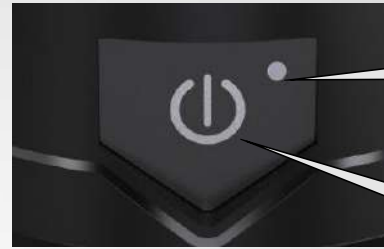
Descriptions	
Item	Parameter
Battery	18650 Lithium
Capacity	7.4V 2600mAh
Voltage	12V/24V
Current	12V: 700mA / 24V: 350mA
Charging time	about 3.5 hours
Operating time	about 5 hour (base on single flash)
Port	DC5.5/2.1
Protection for charging	Overcharge Over-discharge High Low temperature
Indicator	Dual color LED

W16R (remote control)



on/off switch

mode change



LED
indicator

on/off switch

1. First, press the on/off button of light to turn on it, The second long press (3 seconds) it until the LED indicator of light shows flashing, the third press the on/off button of remote control

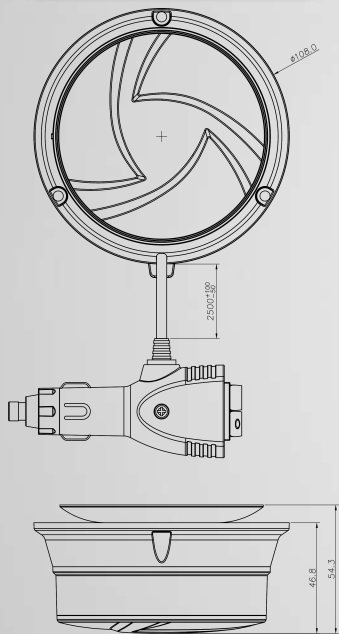
2. Red Indicator is flashing, and then press mode button, then you can change mode now

Material

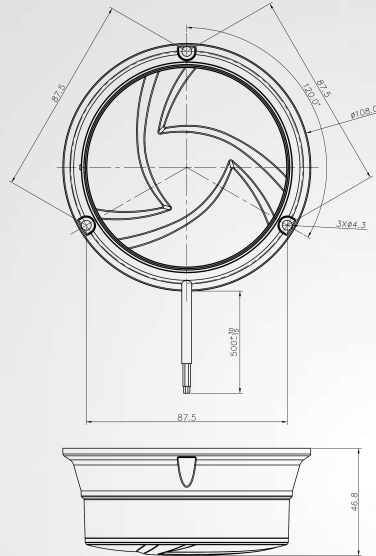
Part#	Item	Part name	Material	Surface
W16M		Lens	PC	Amber
W16S		Reflector	PC or PMMA	Clear
W16P		Alumiumm	6063AL	阳极氧化本色
W16B		cover	ADC12	Black Powder Coated
W16M W16S		Base	ABS	Black
W16P		Pipe base	TPE	Black
W16B		battery base	ABS	Black

Dimension

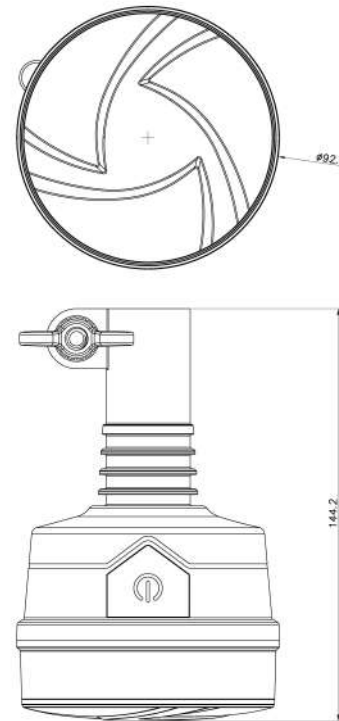
**W16M
Magnetic base**



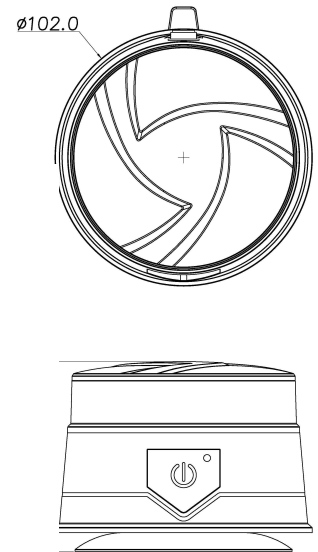
**W16S
(screw mount)**



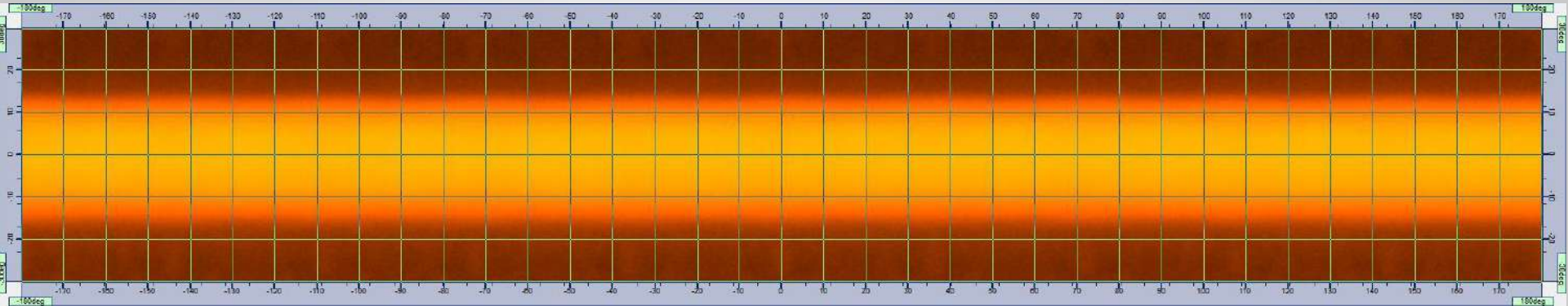
**W16P
(Pipe mount)**



**W16B
(rechargeable)**



Optical simulation



Area	Shape	Parameters	Magnitude	Operator	Measure	Thresholds	Value
Area_1	User line	(180 ; 0) (-180...	luminous_intensity	None	Average		568.094 cd
Area_2	User line	(180 ; 8) (-180...	luminous_intensity	None	Average		391.292 cd
Area_3	User line	(180 ; -8) (-18...	luminous_intensity	None	Average		419.771 cd

Optical simulation

